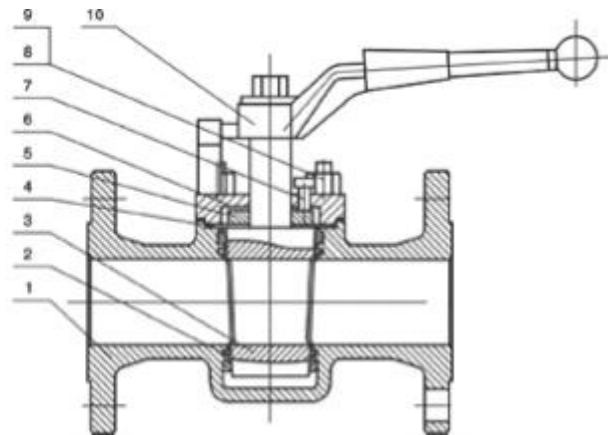




Brief instruction:

ANSI Plug Valve is applicable to the cutting and connection of pipelines medium that are used in various industries such as petroleum, chemical industry, pharmacy, chemical fertilizer, power industry etc under nominal pressure of CLASS 150-900LBS, and working temperature of -29~180°C.



PRODUCT - PLUG VALVE

ANSI PLUG VALVE

No.	Part name	material
1	Body	ASTM A216 WCB
		ASTM A217-WC1,WC6,WC9,C5
		ASTM A351-CF8,CF8M,CF3,CF3M
2	Sleeve	PTFE
3	Plug	ASTM A182-Gr,F6a,ASTM A182-F22
		ASTM A182-F304,F316,F321,F304L,F316L
4	Gasket	Flexible graphite + stainless steel, PTFE
5	Adjusting gasket	ASTM A182-Gr,F6a,ASTM A182-F22
		ASTM A182-F304,F316,F321,F304L,F316L
6	Cover	ASTM A216 WCB
		ASTM A217-WC1,WC6,WC9,C5
		ASTM A351-CF8,CF8M,CF3,CF3M
7	Adjusting bolt	ASTM A193-B7, A320-B8, A193-B8M
8	Net	ASTM A194-2H, A194-8, A194-8M
9	Bolt	ASTM A193-B7, A320-B8, A193-B8M
10	wrench	ASTM A105-WCB

Feature:

The product has reasonable structure, reliable sealing, excellent performance and beautiful appearance. Its sealing is realized by the sealing face around the sleeve. It has unique 360 degree metal edge for protection and fixing of the sleeve.

There is no cavity in the valve for accumulation of medium.

Metal edge provides the function of self-cleaning when the plug is rotated, applicable to the operation condition that is glutinous and apt to smudge.

Its characteristic double-direction flow makes installation and use more convenient.

6. The materials of the parts and sizes of flanges can be reasonably configured according to the actual operation condition of the requirements of the customers, so as to meet the various needs of engineering.

PRODUCT - PLUG VALVE

ANSI PLUG VALVE

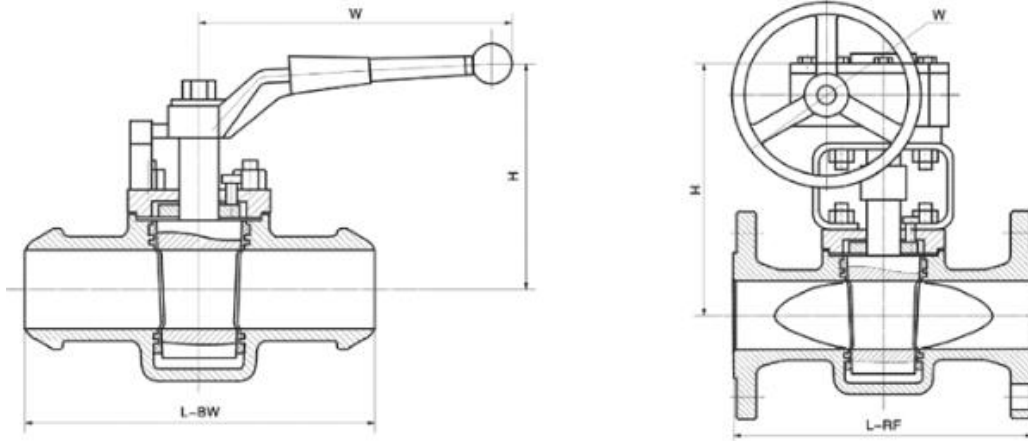
Executive standard

Structural formation	BC
Driving manner	worm & worm gear, pneumatic, electric-actuated , Wrench wheel
Design standard	API599, API6D
Face to face	ASME B16.10
Flange end	ASME B16.5
Test & inspection	API598, API6D

The size of serial valve connecting flange can be designed according to customers requirement.

Nominal pressure(LB)	Shell test(M P a)	Sealing test(M P a)	Suitable temp	Suitable medium
150	3.0	2.2	-29~180 °C	Water, oil & gas
300	7.5	5.5		
600	15.0	11.0		
900	22.5	16.5		

Main external and connection dimension



model		KQAX43-150LB														
pressure		150LB														
size	mm	15	20	25	32	40	50	65	80	100	125	150	200	250	300	350
	in	1/2	3/4	1	1 1/4	1 1/2	2	2 1/2	3	4	5	6	8	10	12	14
L		108	117	127	140	165	178	190	203	229	254	267	292	330	356	381
H		110	115	115	135	140	150	165	180	380	460	520	580	620	680	760
W		175	175	175	220	280	305	350	405	300	300	320	320	350	380	450
Weight		8.5	9.5	10.5	12	14	18	22	26	40	60	70	130	219	381	570
note: 4" or above with worm gear																



Office Address
 SAIF ZONE | PO Box 8047
 Sharjah, UAE.
 Skype: Unitech Trading (unitechtrading)
 Tel / Fax 00971-6-544-8882
 Email <mailto:info@unitechtrading.com>

PRODUCT - PLUG VALVE

ANSI PLUG VALVE

model		KQAX43-300LB														
pressure		300LB														
size	mm	15	20	25	32	40	50	65	80	100	125	150	200	250	300	350
	in	1/2	3/4	1	1 1/4	1 1/2	2	2 1/2	3	4	5	6	8	10	12	14
L		140	152	165	178	190	216	241	283	305	381	403	419	457	502	762
H		110	115	115	135	140	150	165	180	380	460	520	580	620	680	760
W		175	175	175	220	280	305	350	405	300	300	320	320	350	380	450
Weight		9.5	10.5	12	14	16	20	24	29	53	75	85	185	230	390	550
note: 4" or above with worm gear																